



Triode Type DA 100

POWER AMPLIFIER AND MODULATOR

General. The DA 100 is a triode valve fitted with a directly heated oxide-coated cathode. It is suitable for use as a power amplifier in Class AB1 or AB2 amplifiers or as a modulator.

Cooling. The valve must have adequate ventilation.

Mounting. The valve should be mounted vertically, cap down, in a 4-pin base type L4.

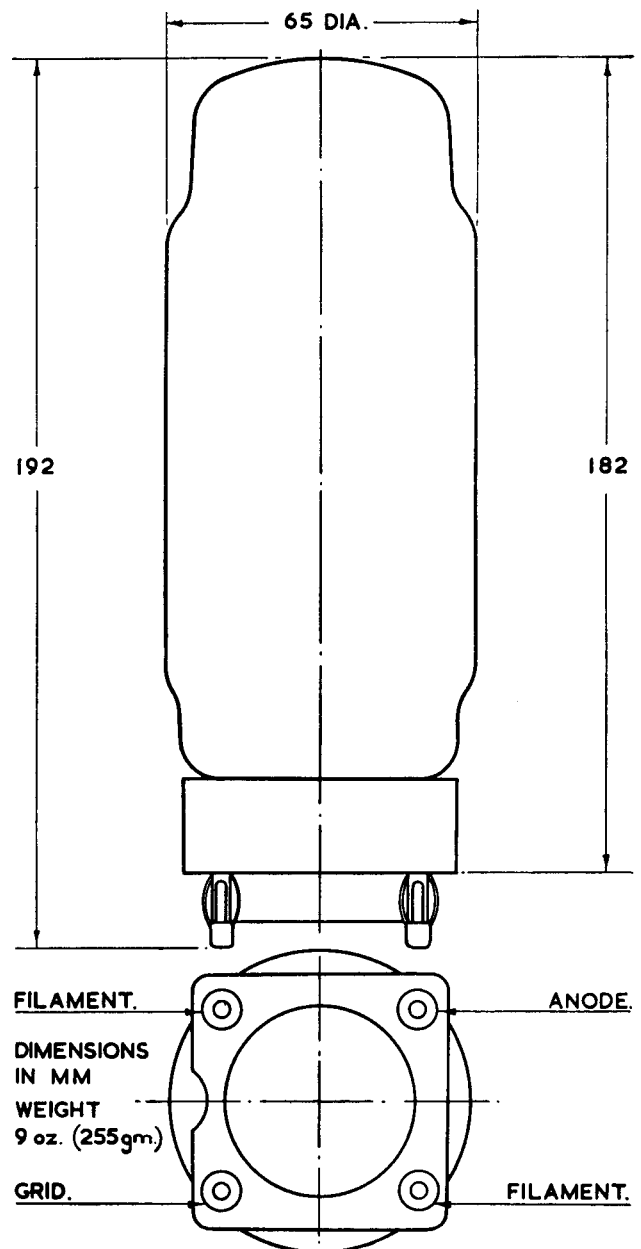
APPROXIMATE DATA

V_f	6	V	
I_f	2.7	A	
V_a	1,250	V	
$P_{a(max)}$	100	W	
μ	} taken at V_a 1,000 V I_a 100 mA {	5.5	
r_a		1,410	Ω
g_m		3.9	mA/V
C_{a-g1}	15.7	pF	
C_{a-k}	10.8	pF	
C_{g1-k}	15.8	pF	

Operating Notes

The power supply should have an impedance not exceeding 400 Ω .

Under AB2 conditions the anode dissipation rises to a maximum at approximately one-half full output.



MARCONI'S WIRELESS TELEGRAPH COMPANY LIMITED

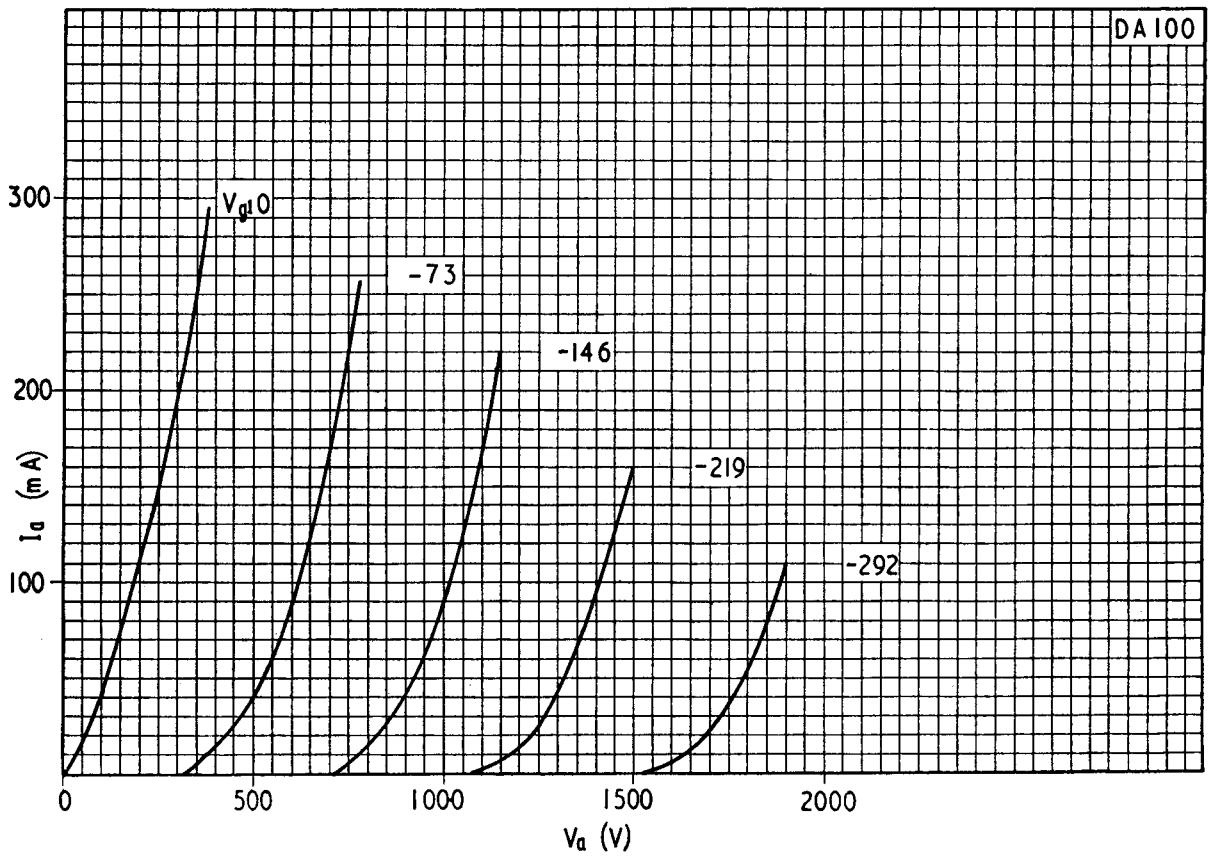
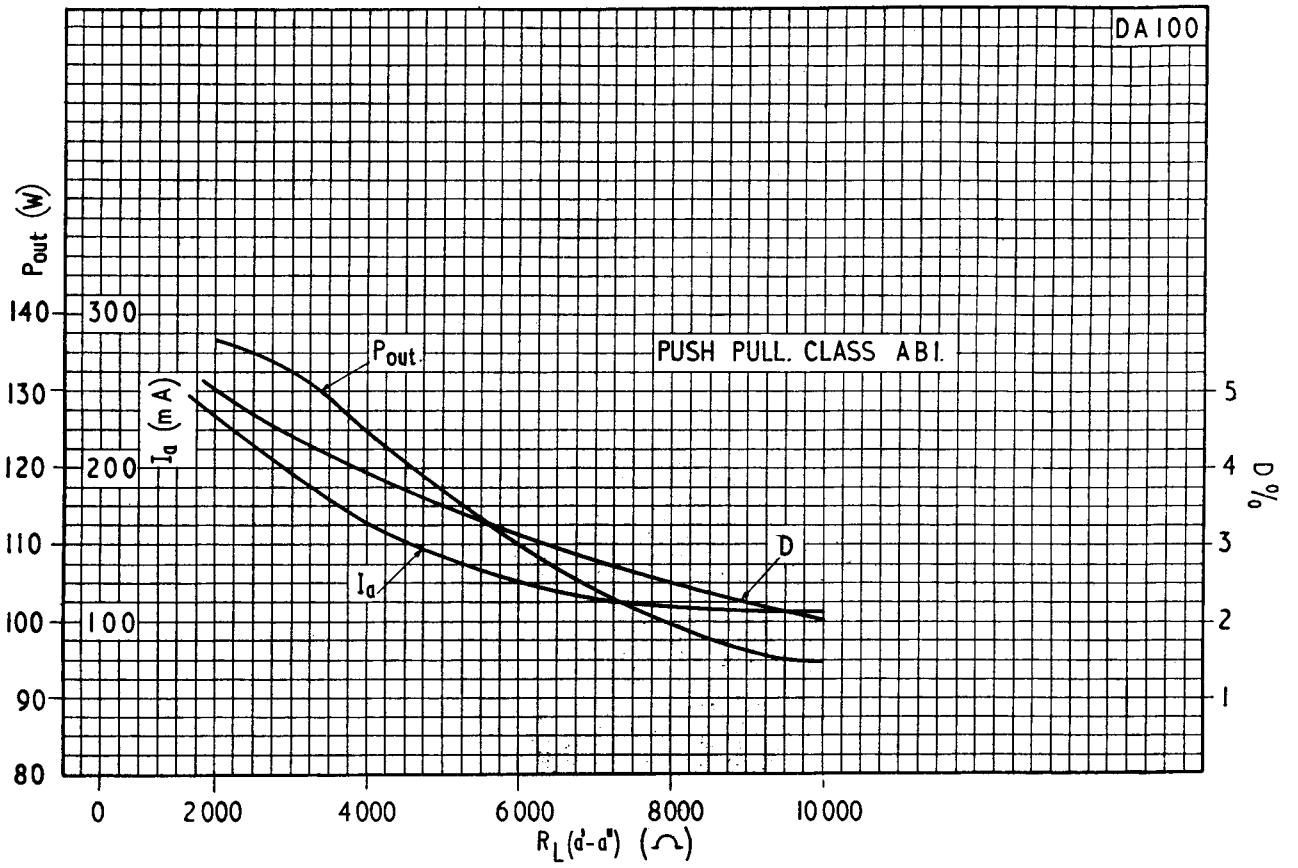
Head Office: Marconi House, Chelmsford, England. Telephone: Chelmsford 3221. Telegraphic Address: Expanse, Chelmsford

(1) TWO VALVES. CLASS AB1 PUSH-PULL*(Operating data per pair of valves unless otherwise stated)**Maximum permissible ratings*

V_a		1,250	V
P_a		100	W
	Typical Operation		
$V_{a(max-sig)}$	1,000	1,250	V
$I_{a(zero-sig)}$	100	100	mA
$I_{a(max-sig)}$	330	300	mA
$P_{a(zero-sig)}$ (per valve)	55	70	W
$P_{a(max-sig)}$ (per valve)	53	100	W
V_{gl}	-200	-225	V
$V_{in(pk)(g'_1-g''_1)}$	400	450	V
I_{gl}	—	—	
$R_{L(a'-a'')}$	4,000	8,000	Ω
P_{out}	125	175	W
D	4.0	5.0	%

(2) TWO VALVES. CLASS AB2 PUSH-PULL*(Operating data per pair of valves unless otherwise stated)**Maximum permissible ratings*

V_a		1,250	V
P_a		100	W
	Typical Operation		
$V_{a(max-sig)}$	1,000	1,250	V
$I_{a(zero-sig)}$	100	100	mA
$I_{a(max-sig)}$	300	365	mA
$P_{a(zero-sig)}$ (per valve)	55	55	W
$P_{a(max-sig)}$ (per valve)	50	80	W
V_{gl}	-200	-225	W
$V_{in(pk)(g'_1-g''_1)}$	500	560	V
I_{gl}	15	20	mA
$R_{L(a'-a'')}$	8,000	8,000	Ω
P_{out}	200	300	W
D	6.0	6.0	%





PRINTED IN ENGLAND